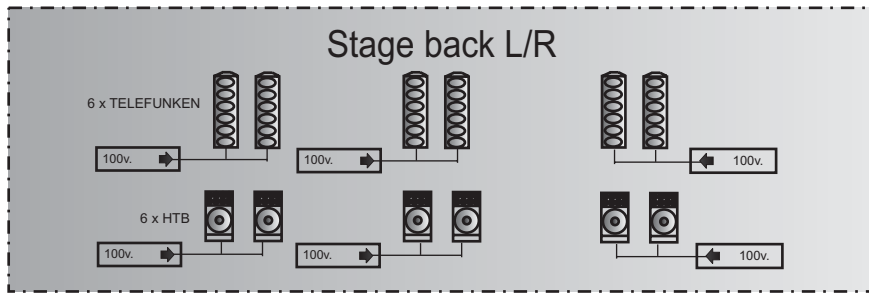
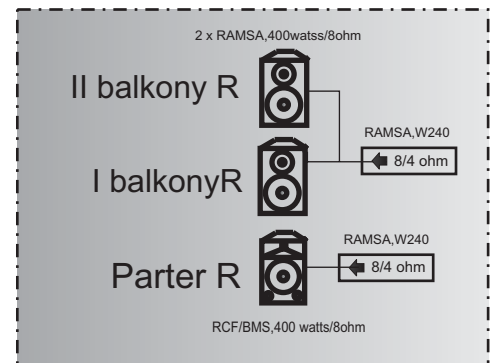
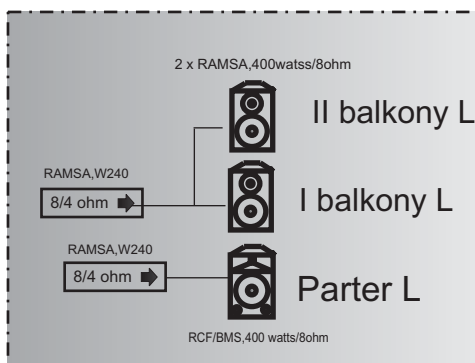
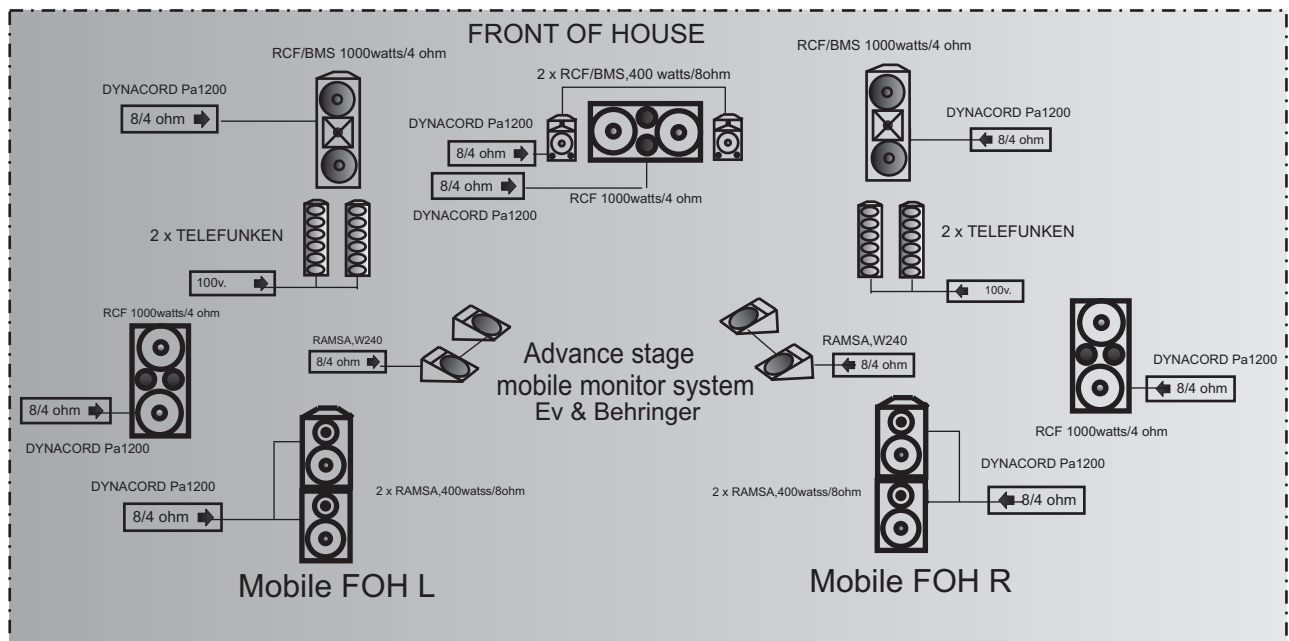
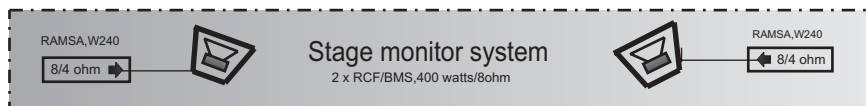
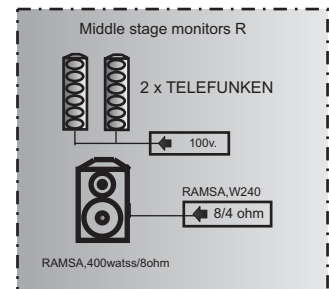
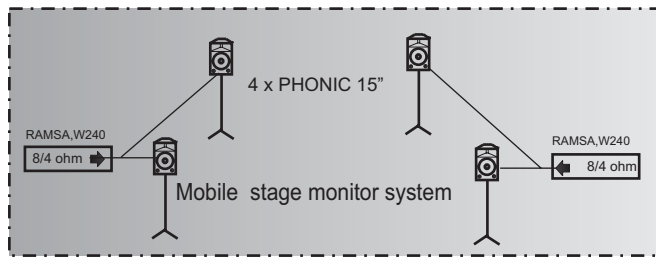
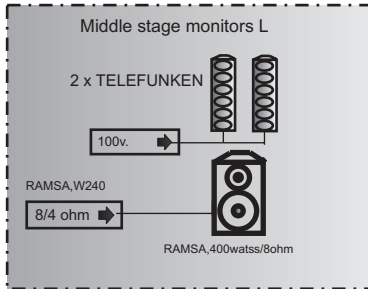


National theatre "Ivan Vazov", Sofia (BG), the big hall

Fig.3



NOTE: All 100v.amps are TELEFUNKEN



NOTE: All amplifiers receive freely assignable signals from the output/matrix section of the main mixer via ddl's(x-over for the subbass) and 31band graphic equalizers.